

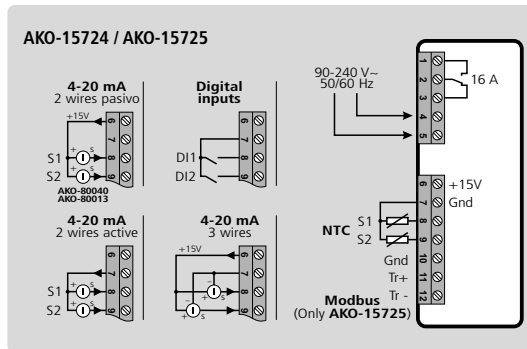
CE CAMRegis Basic

2 channel temperature, moisture and events logger

Description

Data logger with two configurable inputs, acoustic alarm + alarm relay and data downloading using an SD card.

Wiring diagram



Functions

- Alarm logging function, saves a record per alarm activation/deactivation.
- Log interval selectable from 1, 5, 15, 30 and 60 minutes.
- Top display: Display of the current value of the selected input/s.
- Bottom display: Display of the current time, active alarm.
- Active alarm, max/min value reached and activated digital input icons.
- Resolution: 0.1
- Accuracy class (-40 °C to 40 °C): ± 1 °C acc/ EN 12830
- Response time: < 20 seconds
- Maximum relative time error: < 0.1%
- Temperature display in °C or in °F according to configuration.
- Display of maximum and minimum values of the last 24 hours (NTC and 4-20 mA inputs).
- Downloading of the stored data onto an SD card, in .csv format (value table separated by a comma).
- Automatic hour change.
- Maintenance of date/hour in the event of a power failure up to 2 days.
- Compatible with AKONet and SOFTRegis (configuration and monitoring software).
- To comply with standard **EN-12830**, it must save the logged data for at least one year. In the event of configuring log intervals at 1 or 5 minutes, it must periodically save the data in an SD card to comply with it. For the rest of intervals, the unit is capable of storing periods over those required in its internal memory.

Characteristics

| | AKO-15724 | AKO-15725 |
|-----------------------------|---|-----------|
| MODBUS communication | No | Yes |
| Inputs | 2, configurable | |
| Input configuration | NTC / 4-20 mA / Digital input / Deactivated | |
| Alarm relay | Yes (SPDT 16A) | |
| Acoustic alarm | Yes (Buzzer) | |
| Power supply | 90 - 240 V~ | |
| Degree of protection | IP40 | |
| Slot for SD card | YES | |
| Installation | Wall | |
| Compliance | Class 1 s/ EN-12830 | |
| Included accessories | NTC Probe, SD Card and SD card USB reader | |
| Measuring range | NTC: -50 °C a 99 °C; 4-20 mA: Configurable from -100 to 900 (1000 levels) | |

Spares

- Spare probe: **AKO-14931**
- Wall moisture probe: **AKO-80013**
- Tubular moisture probe: **AKO-80040**