

AKO-71753 labels to identify heating length in AKO-TRACE

1- Application

These labels are used for lengths heating cables identification.

2- Composition

- No. 1 Five identification labels for heat tracing
- No. 2 Ten clamps
- No. 3 One pencil

Data sheet 7175H300 of labels to identify heating length in **AKO-TRACE**.

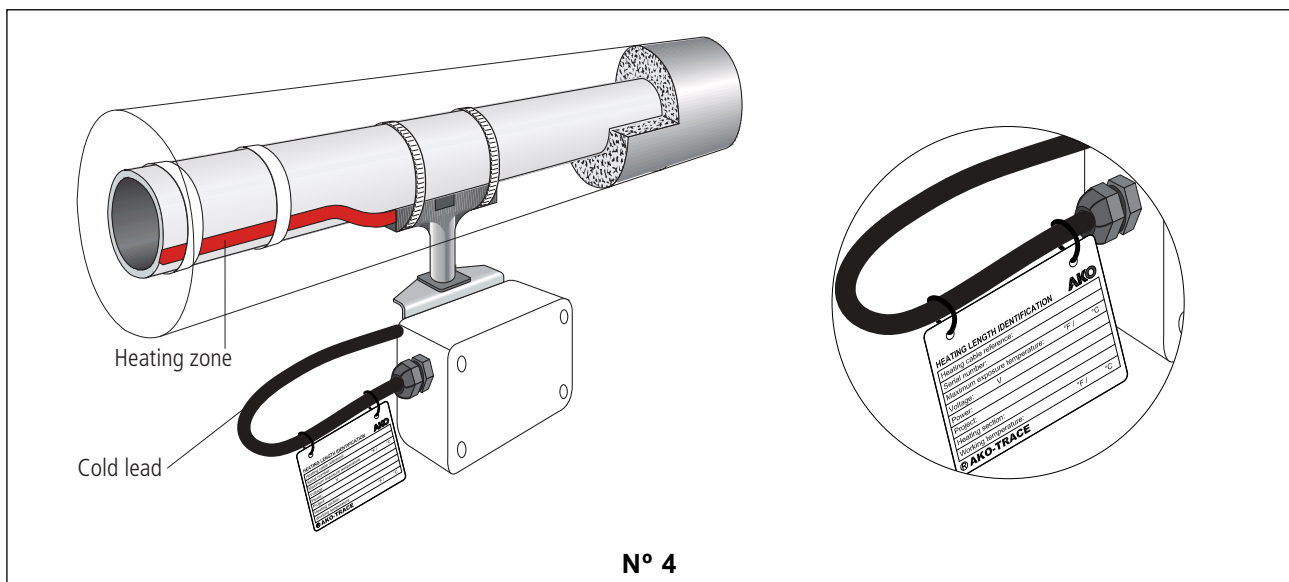
N° 1

HEATING LENGTH IDENTIFICATION		AKO
Heating cable reference:		
Serial number:		
Maximum exposure temperature:	°F /	°C
Voltage:	V	
Power:		
Project:		
Heating section:		
Working temperature:	°F /	°C
® AKO-TRACE		

N° 2



N° 3



3- Application instruction

The identification label should be placed before installing the insulation and fill the inspection log sheet. It should be fixed by means of a clamps in the end of the heating cable near the connection box. (See drawing **No. 4**)

The label should be filled by pencil supplied.

After to fill the dates remove the paper and fix the adhesive film on every face of label.

